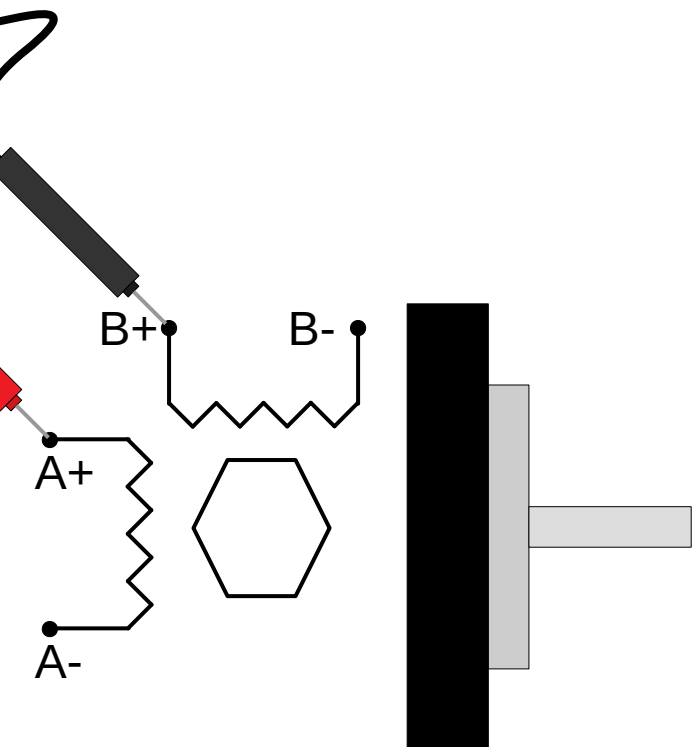
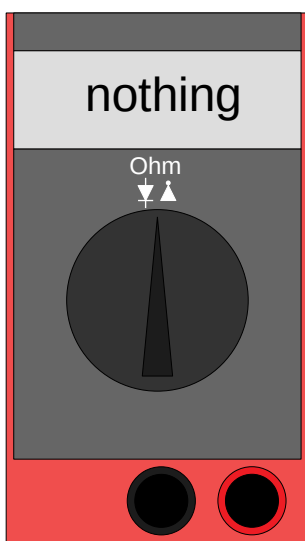
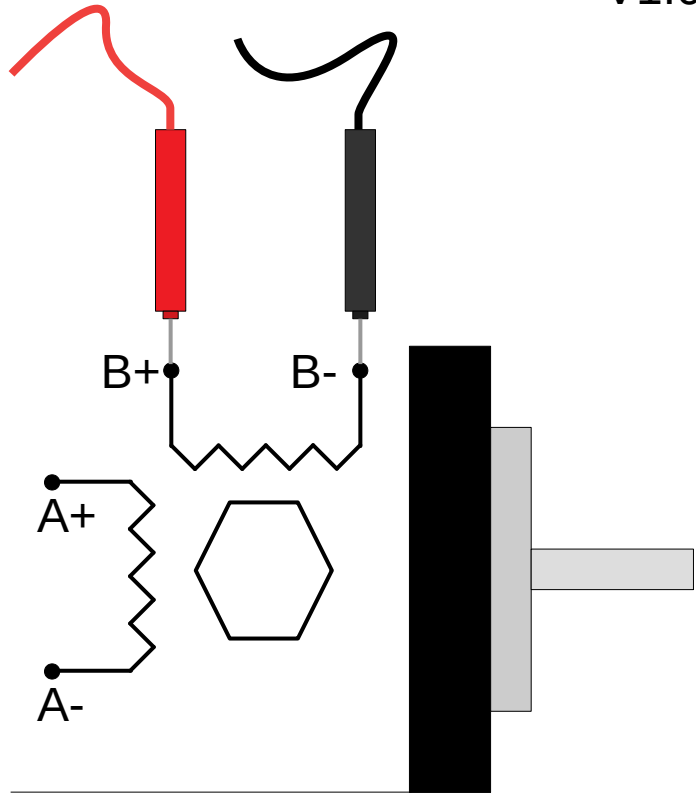


Connecting the motors to our CNC controller

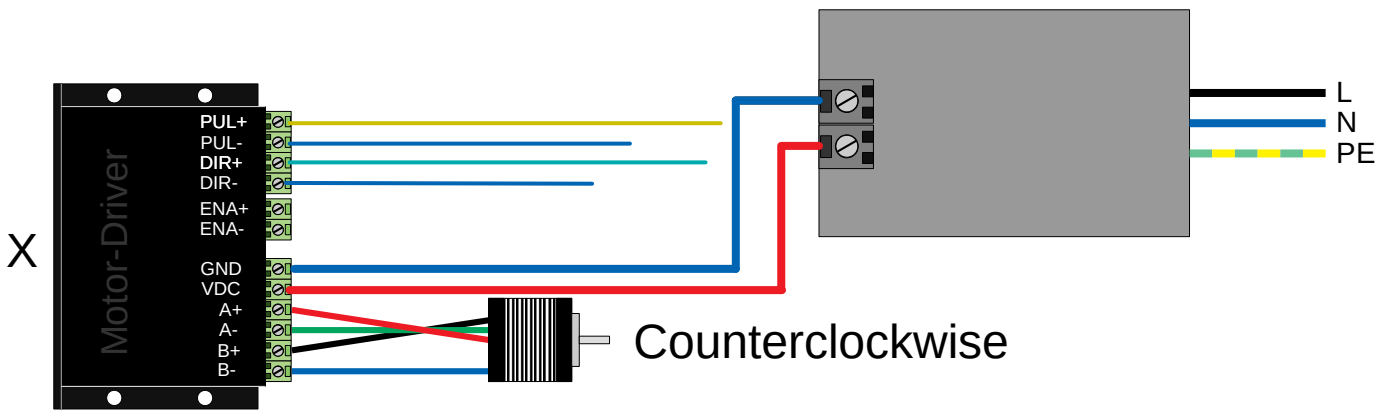
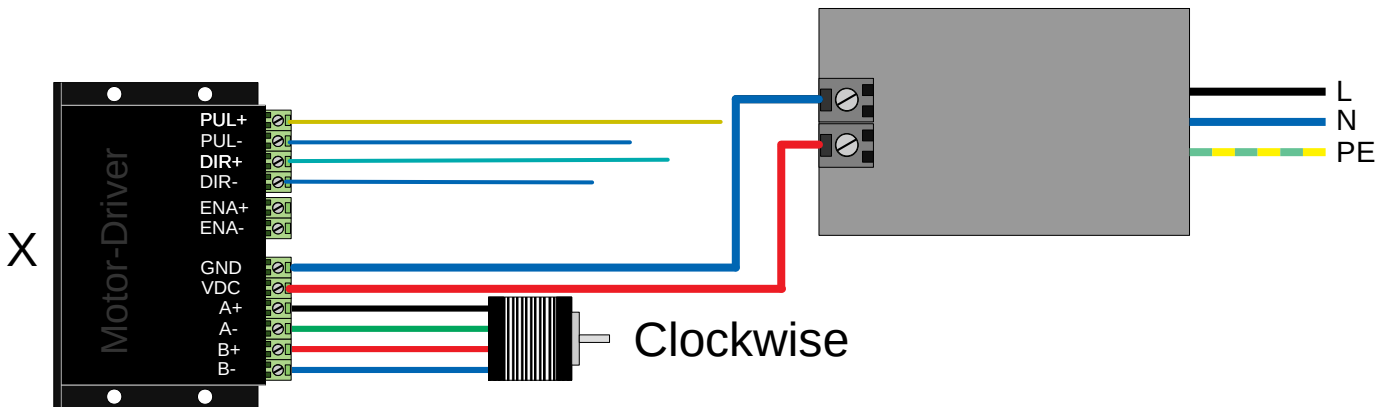
- Find the right cables



Connecting the motors to our CNC controller

- Change direction of rotation

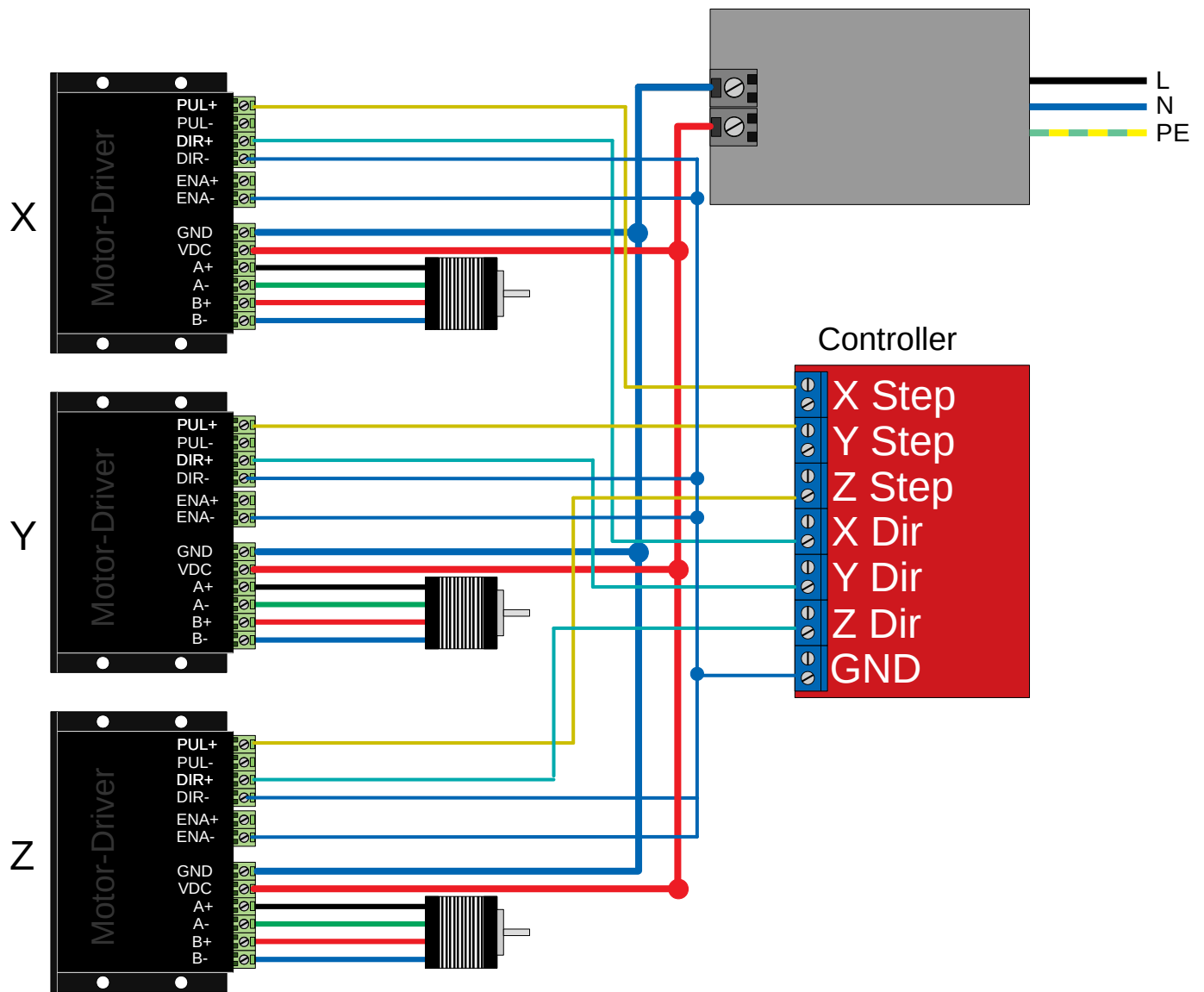
EN
DINA4
V1.0



EN
DINA4
V1.0

Connecting the motors to our CNC controller

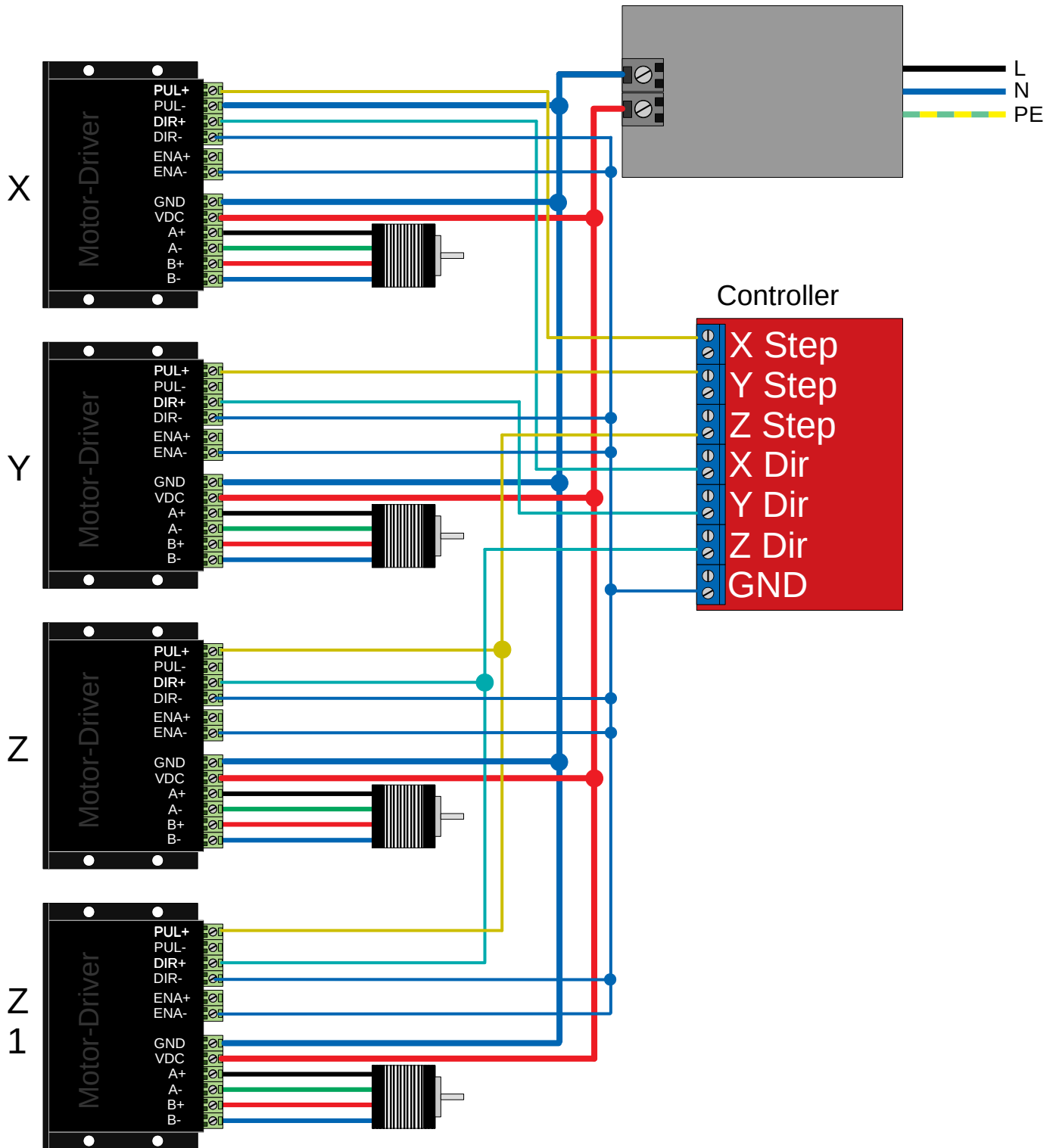
- One motor per axis



Connecting the motors to our CNC controller

- Two motors on one axis (eg. Z, Z1)

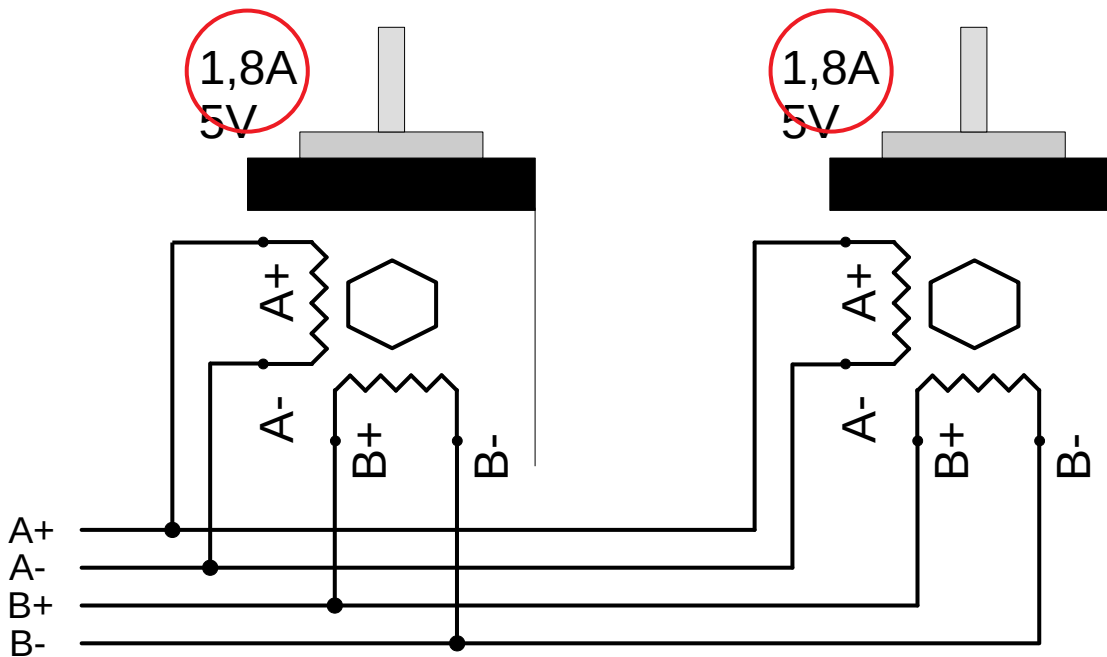
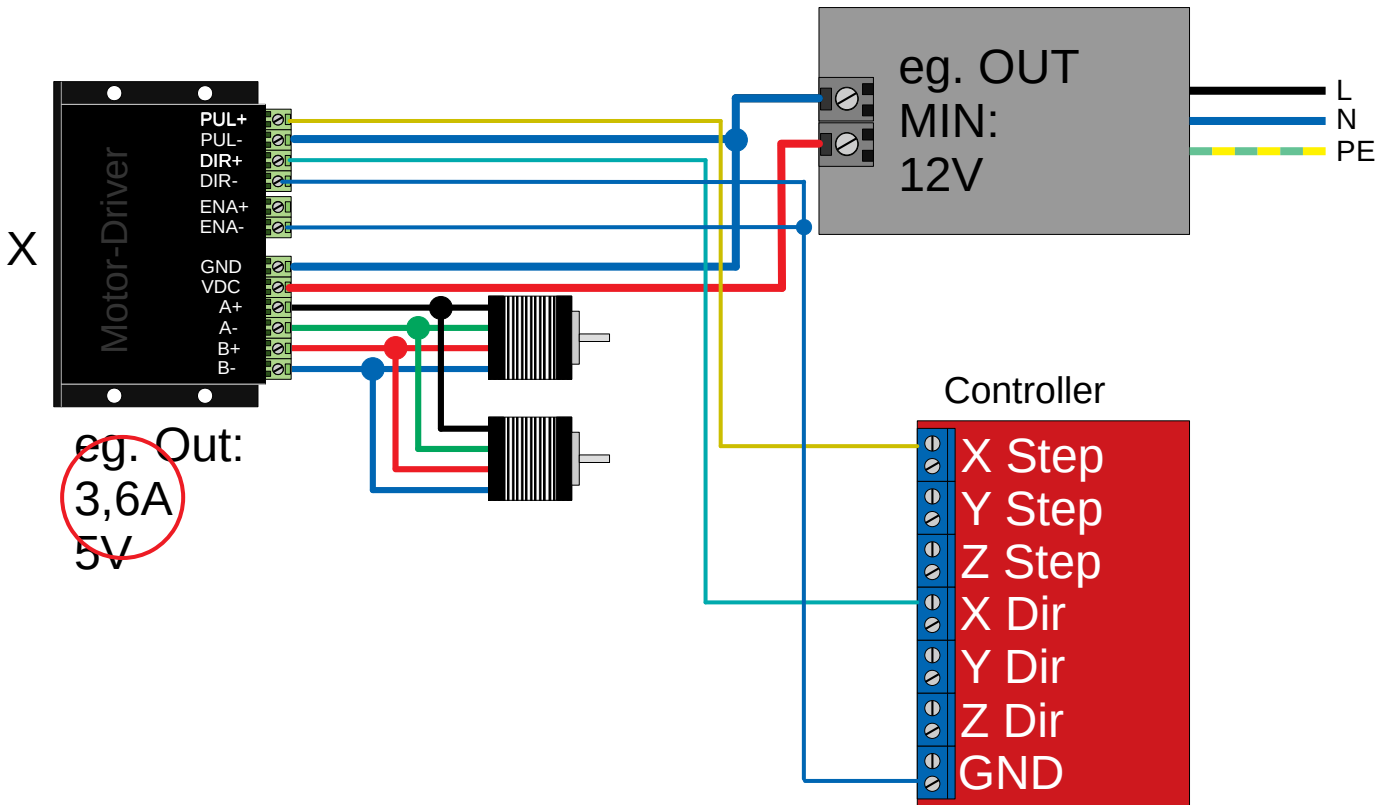
EN
DINA4
V1.0



Connecting the motors to our CNC controller

- Two motors on one driver (parallel)

EN
DINA4
V1.0



Connecting the motors to our CNC controller

- Two motors on one driver (serial)

EN
DINA4
V1.0

